



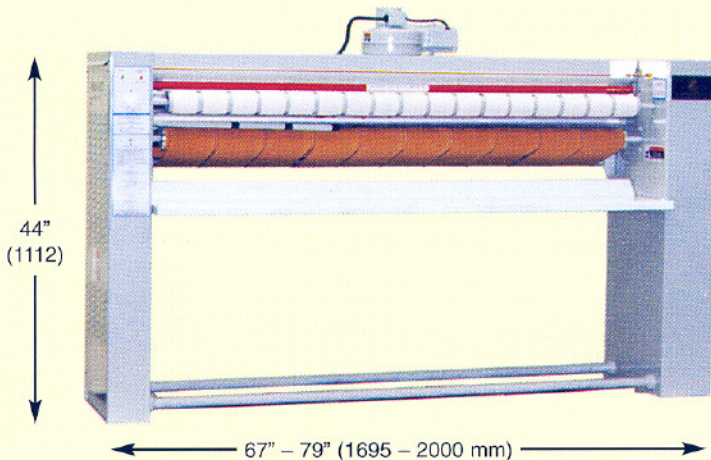
"THE IRONER PEOPLE"  
**CMV SHARPER FINISH, INC.**  
1-800-247-IRON (4766)

4500 AUGUSTA BOULEVARD  
CHICAGO, ILLINOIS 60651  
773-276-4800  
FAX 773-276-6878

## Condensed Ironer Data Sheet

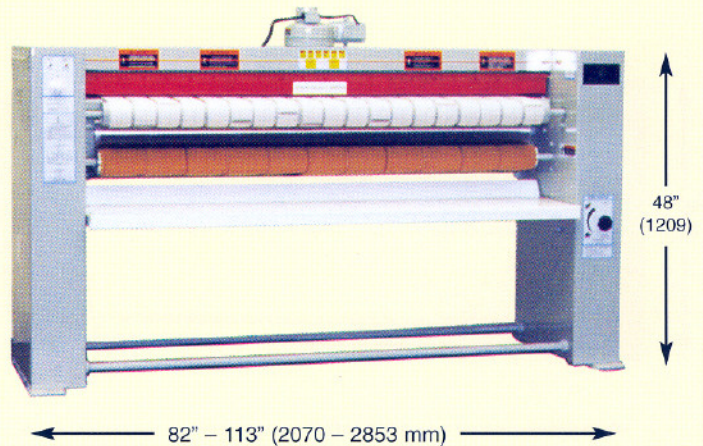
### FINISH RITE

For small laundries. Available with 36", 48", and 60" ironing surfaces. Available in gas or electric.  
(178 mm / 7" diameter cylinder)



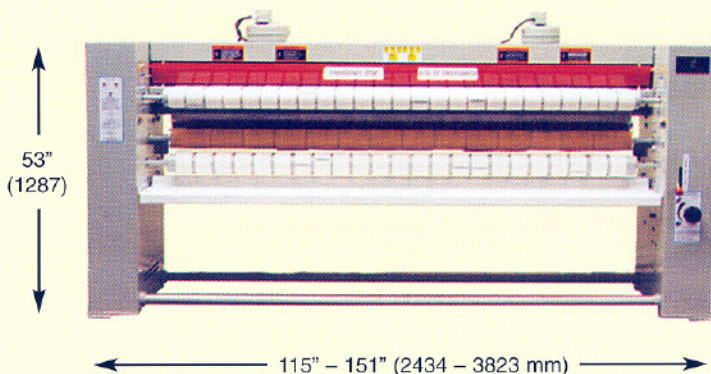
### IMPRESS 950

For small to medium sized laundries. Available with 56", 66" and 82" ironing surfaces. Available in gas, electric or steam.  
(305 mm / 12" diameter cylinder)



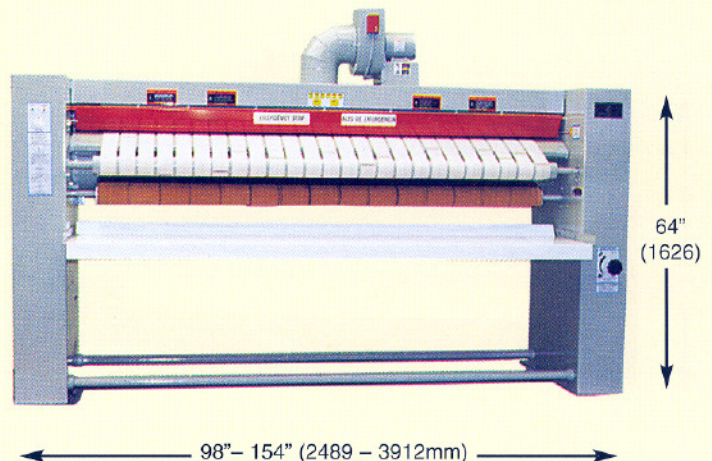
### MODEL 1200

For medium sized laundries (95-150 lbs./hr.). Available with 85", 100", 110", 120" and 132" ironing surfaces. Available in gas, electric or steam.  
(305 mm / 12" diameter cylinder)



### MODEL 1600

For medium to semi large laundries (100-180 lbs./hr.). Available with 90", 120" and 132" ironing surfaces. Available in gas, electric or steam.  
(406 mm / 16" diameter cylinder)





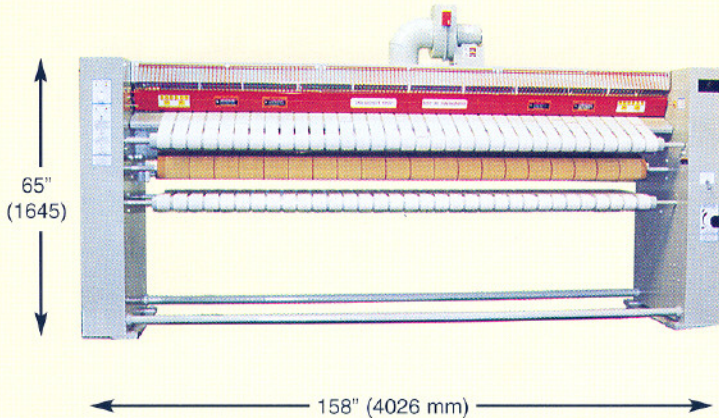
"THE IRONER PEOPLE"  
**CMV SHARPER FINISH, INC.**  
1-800-247-IRON (4766)

4500 AUGUSTA BOULEVARD  
CHICAGO, ILLINOIS 60651  
773-276-4800  
FAX 773-276-6878

## Condensed Ironer Data Sheet

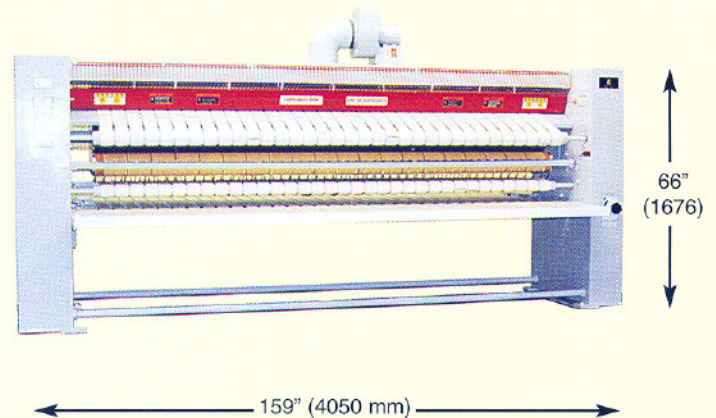
### MODEL 2000

For large laundries (100-250 lbs./hr.) Available with 85", 100", 110", 120" and 132" ironing surfaces. Available in gas or steam.  
(508 mm / 20" diameter cylinder)



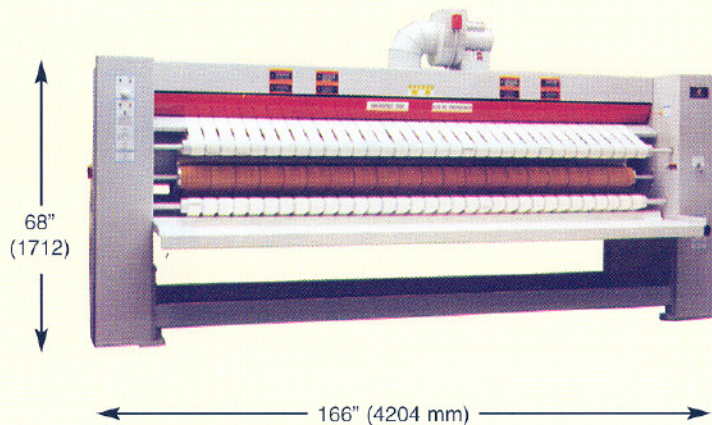
### FINISH MASTER 1600 & 2000 (with built-in primary folder)

For larger laundries (240-300 lbs./hr.). Available with 90", 120", and 132" ironing surfaces. Available in gas, steam, and electric on the FM1600.



### MODEL 2400

For large laundries (325+ lbs./hr.). Available with 120" and 132" ironing surfaces. Available in gas or steam.  
(610 mm / 24" diameter cylinder)



### MODEL 3000

For large laundries (400+ lbs./hr.). Available with 120" ironing surface. Available in gas or steam.  
(762 mm / 30" diameter cylinder)

